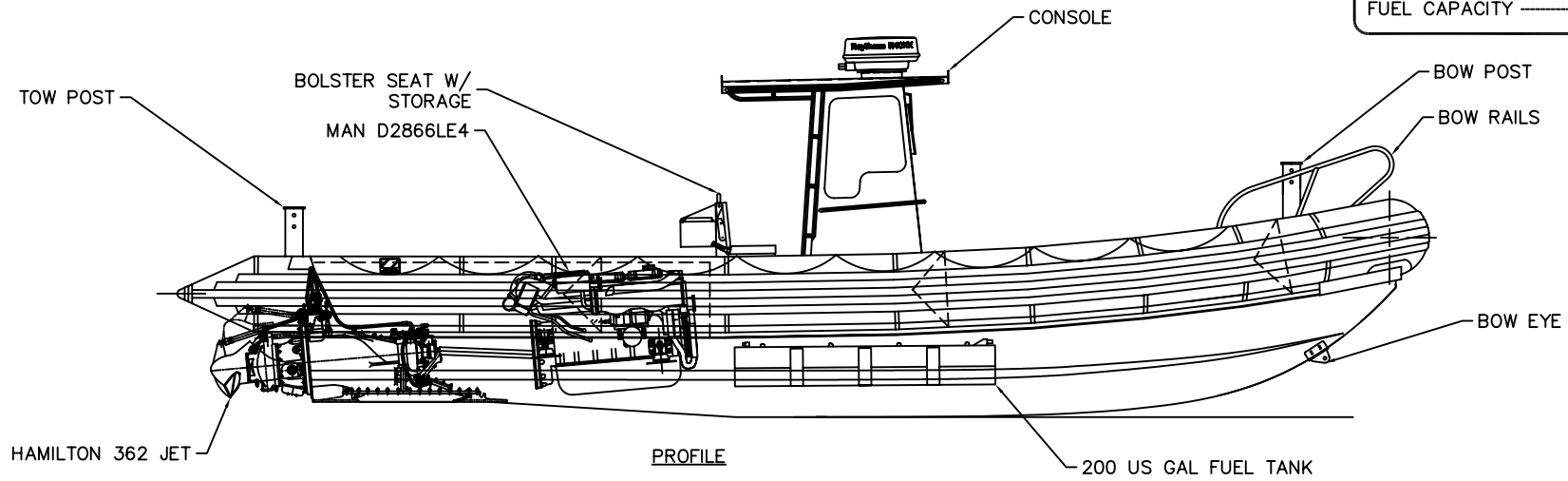


PLAN

SPECIFICATIONS:	
LENGTH OVERALL	33'-1" (10085mm)
LENGTH RIGID HULL	29'-6" (8987mm)
BEAM MAX	12'-0" (3657mm)
BEAM RIGID HULL	9'-6" (2895mm)
HORSEPOWER MAX	650 HP
TUBE DIAMETER	24"-0" (610mm)
FUEL CAPACITY	200 US gal. (757 l)



PROFILE