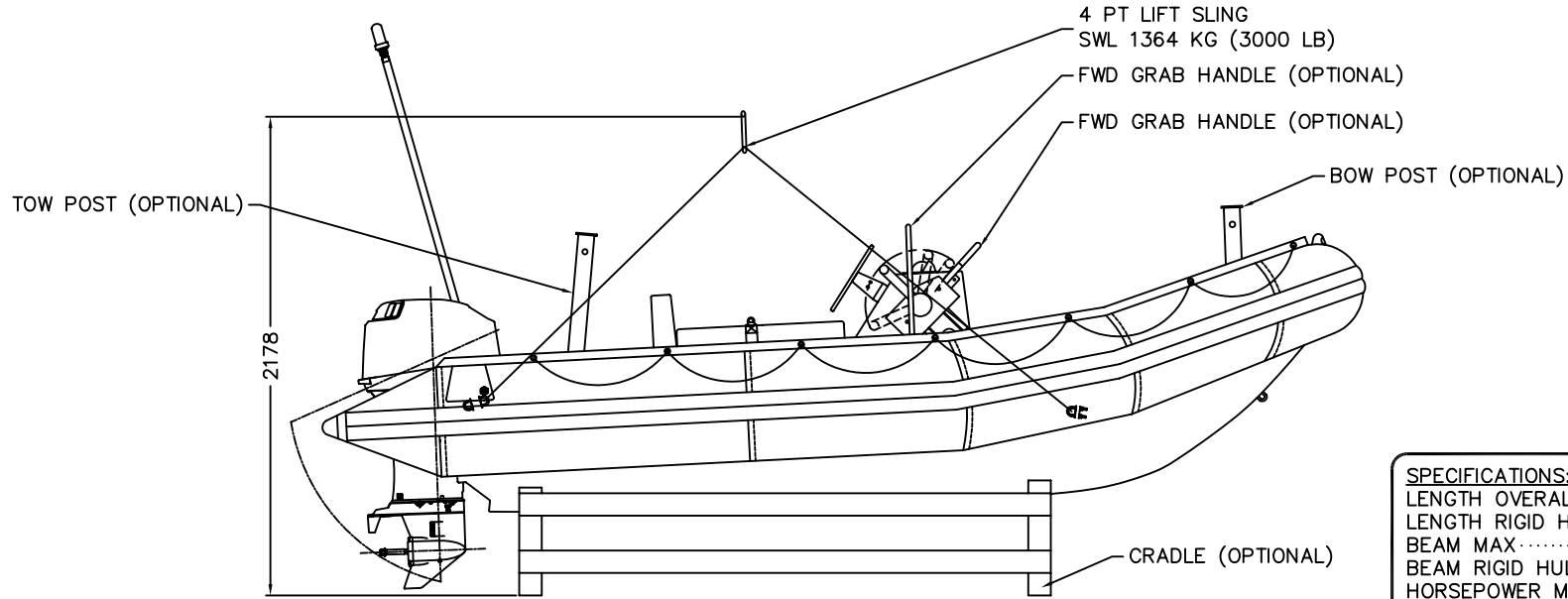


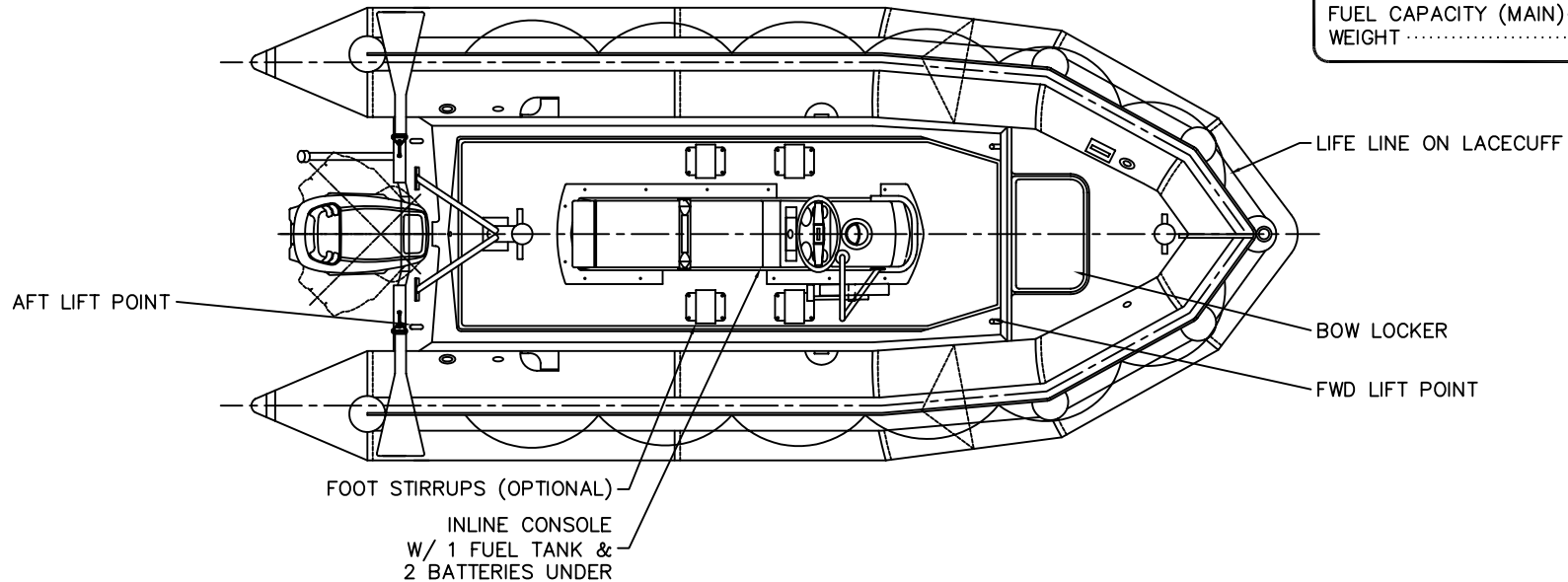


ZODIAC HURRICANE TECHNOLOGIES INC.

H472 OB INDUSTRY



SPECIFICATIONS:	
LENGTH OVERALL	4.7 m
LENGTH RIGID HULL	4.05 m
BEAM MAX	2.05 m
BEAM RIGID HULL	1.45 m
HORSEPOWER MAX	70 (40 SHOWN)
TUBE DIAMETER	0.5 m
NUMBER OF AIR CHAMBERS	3
PERSON CAPACITY	8
FUEL CAPACITY (MAIN)	PORTABLE TANKS
WEIGHT	N/A



NOTE:
1. ENGINE NOT EXACTLY AS SHOWN.

THIS DRAWING SHALL REMAIN THE PROPERTY OF ZODIAC HURRICANE TECHNOLOGIES INC. AND IS SUBJECT TO RECALL AT ANY TIME. MATERIAL DESCRIBED HEREIN OR PARTS THEREOF MAY NOT BE REPRODUCED, USED, MANUFACTURED OR PUBLICIZED WITHOUT WRITTEN PERMISSION FROM ZODIAC HURRICANE TECHNOLOGIES INC.