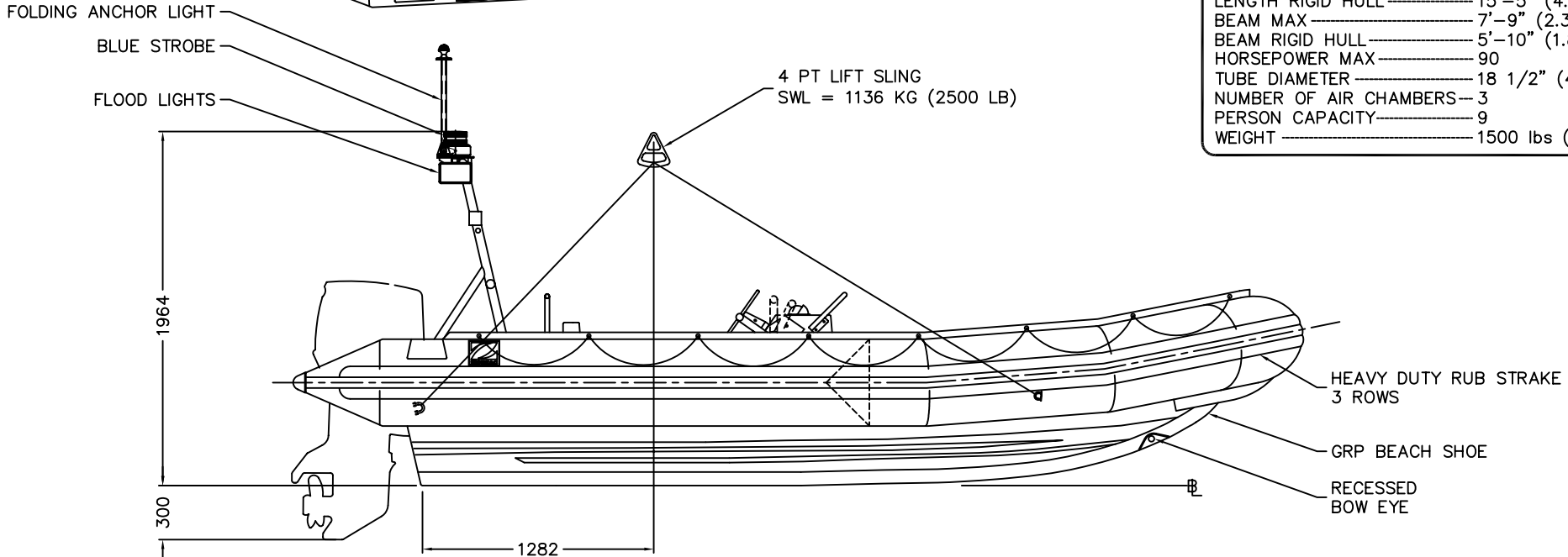
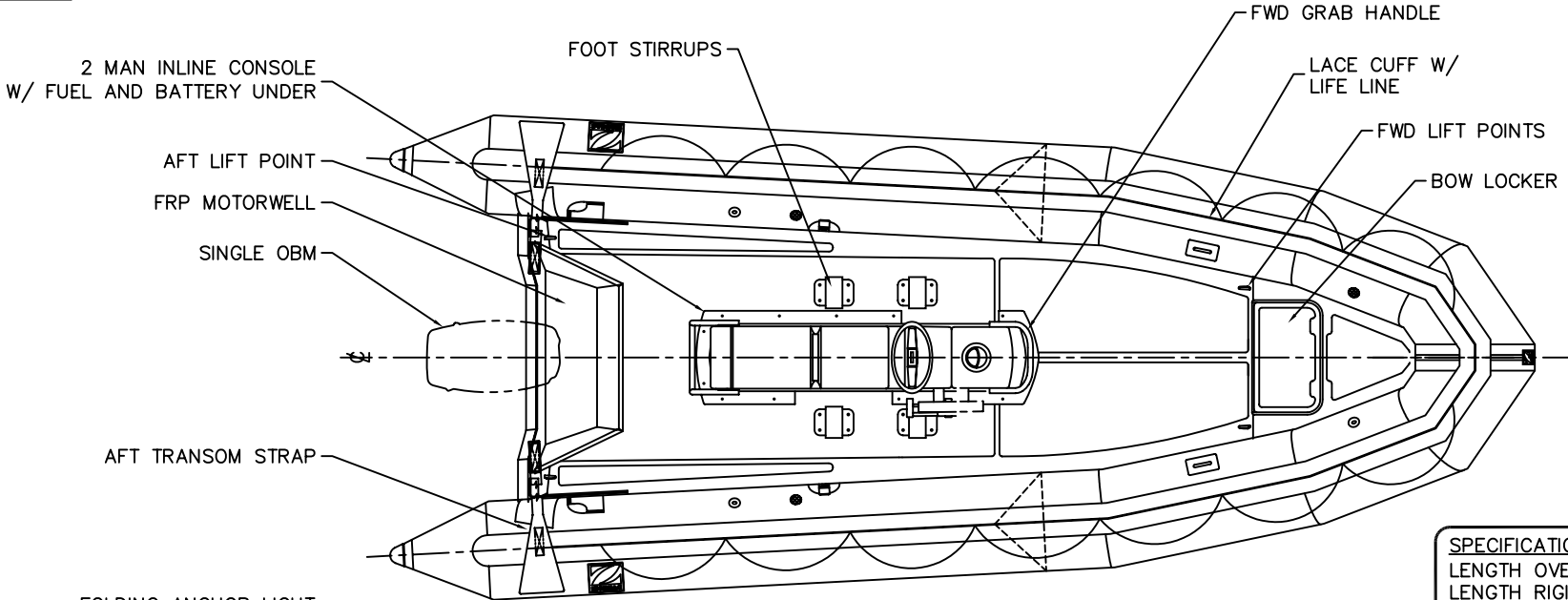




H540 OB MILITARY



SPECIFICATIONS:	
LENGTH OVERALL	18'-4" (5.6M)
LENGTH RIGID HULL	15'-5" (4.7M)
BEAM MAX	7'-9" (2.36M)
BEAM RIGID HULL	5'-10" (1.8M)
HORSEPOWER MAX	90
TUBE DIAMETER	18 1/2" (470mm)
NUMBER OF AIR CHAMBERS	3
PERSON CAPACITY	9
WEIGHT	1500 lbs (682 kg)

THIS DRAWING SHALL REMAIN THE PROPERTY OF ZODIAC HURRICANE TECHNOLOGIES INC. AND IS SUBJECT TO RECALL AT ANY TIME. MATERIAL DESCRIBED HEREIN OR PARTS THEREOF MAY NOT BE REPRODUCED, USED, MANUFACTURED OR PUBLISHED WITHOUT WRITTEN PERMISSION FROM ZODIAC HURRICANE TECHNOLOGIES INC.