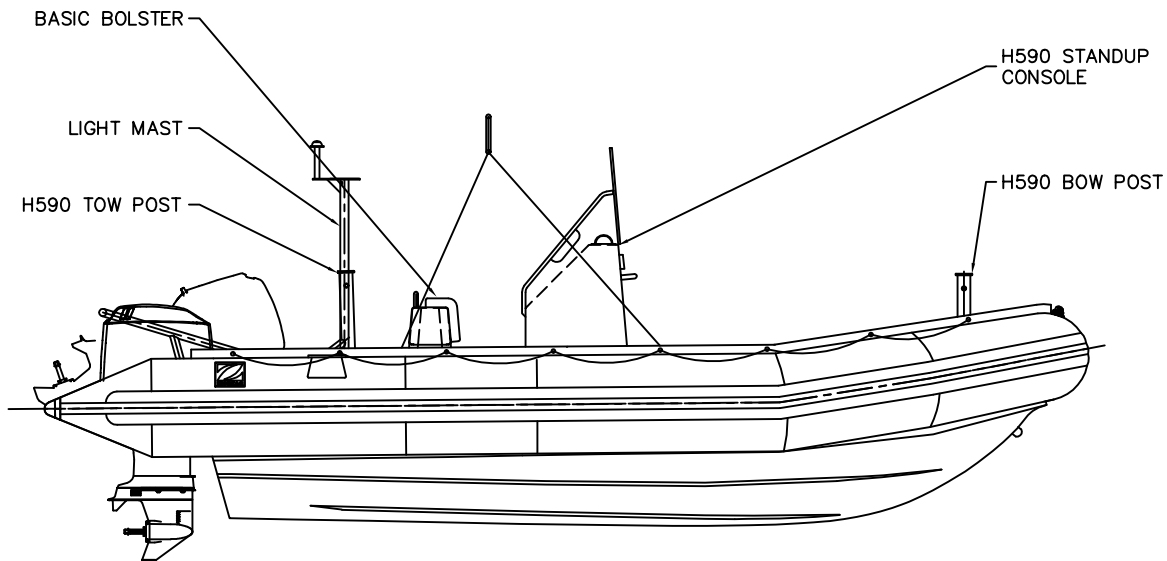
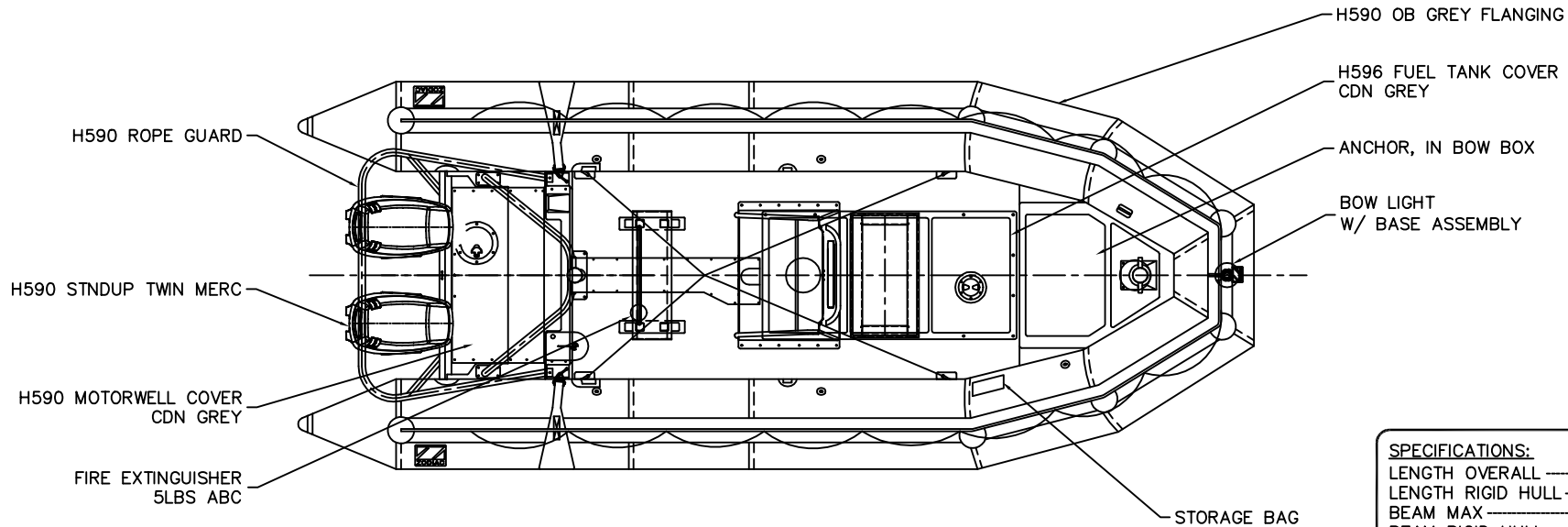




H590 OB ENFORCEMENT



SPECIFICATIONS:	
LENGTH OVERALL	19'0" (5.79m)
LENGTH RIGID HULL	14'8" (4.47m)
BEAM MAX	8'0" (2.44m)
BEAM RIGID HULL	-
HORSEPOWER MAX	150 HP
TUBE DIAMETER	22" (0.56m)
NUMBER OF AIR CHAMBERS	5
FUEL CAPACITY (MAIN)	35 US GAL (132 L)
FUEL CAPACITY (RESERVE)	N/A
WEIGHT	1800 lbs (818 Kg)

THIS DRAWING SHALL REMAIN THE PROPERTY OF ZODIAC HURRICANE TECHNOLOGIES INC. AND IS SUBJECT TO RECALL AT ANY TIME. MATERIAL DESCRIBED HEREIN OR PARTS THEREOF MAY NOT BE REPRODUCED, USED, MANUFACTURED OR PUBLICIZED WITHOUT WRITTEN PERMISSION FROM ZODIAC HURRICANE TECHNOLOGIES INC.