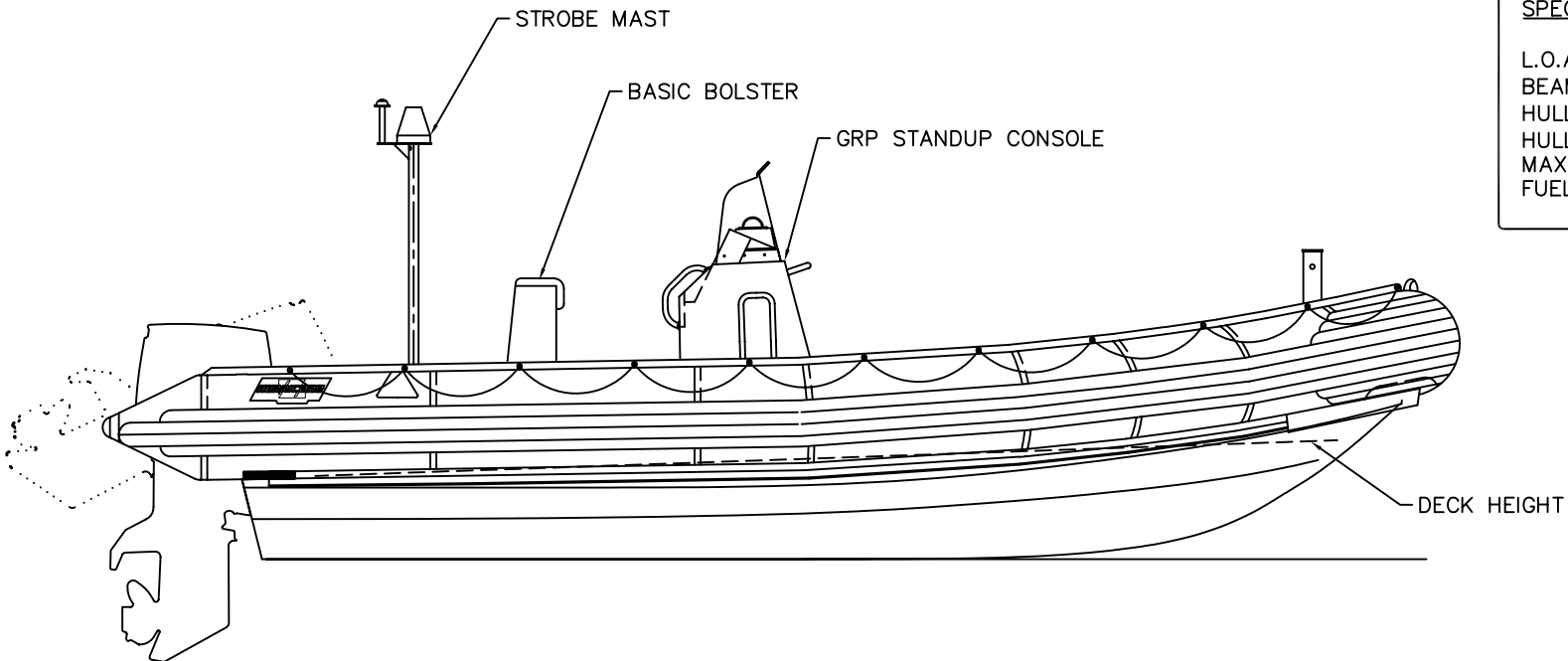
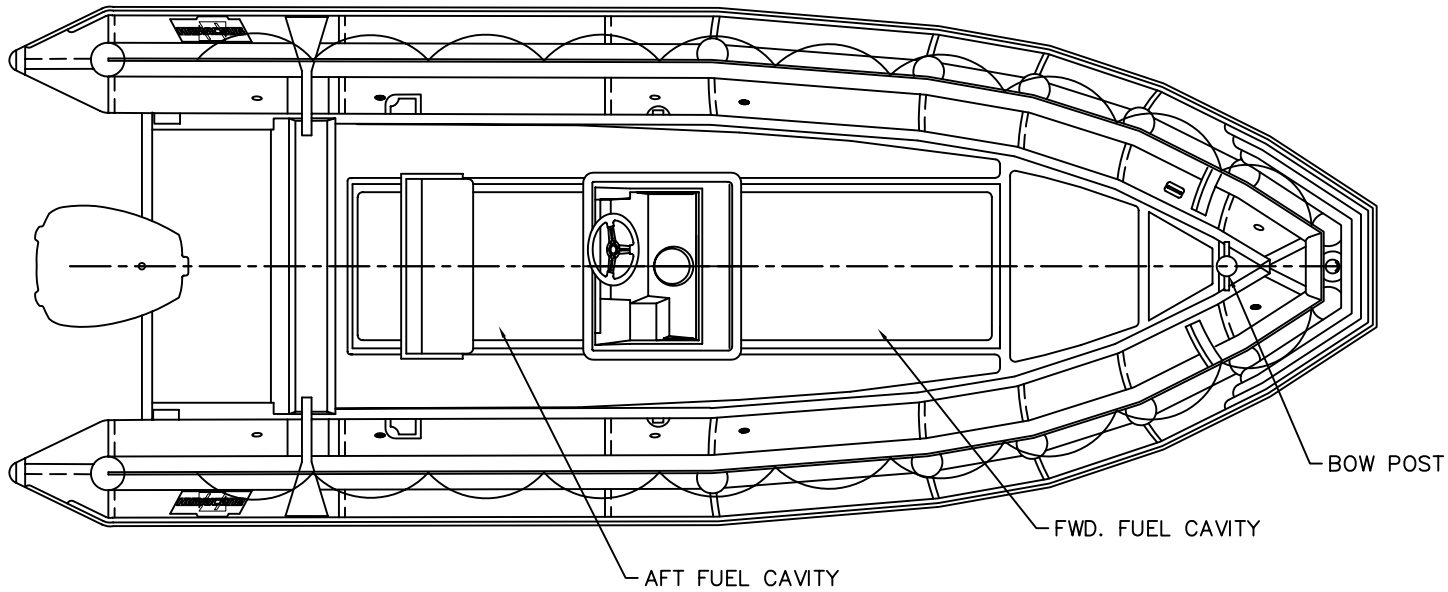




ZODIAC HURRICANE TECHNOLOGIES INC.

H630 OB ENFORCEMENT



SPECIFICATIONS:	
L.O.A.	22' (6.7 M)
BEAM	8.5' (2.59 M)
HULL LENGTH	19.5' (5.94 M)
HULL BEAM	6.17' (1.89 M)
MAX. HP	180 HP
FUEL CAPACITY	FWD. TANK - 48 US GAL
.....	AFT TANK - 48 US GAL

THIS DRAWING SHALL REMAIN THE PROPERTY OF ZODIAC HURRICANE TECHNOLOGIES INC. AND IS SUBJECT TO RECALL AT ANY TIME. MATERIAL DESCRIBED HEREIN OR PARTS THEREOF MAY NOT BE REPRODUCED, USED, MANUFACTURED OR PUBLICIZED WITHOUT WRITTEN PERMISSION FROM ZODIAC HURRICANE TECHNOLOGIES INC.