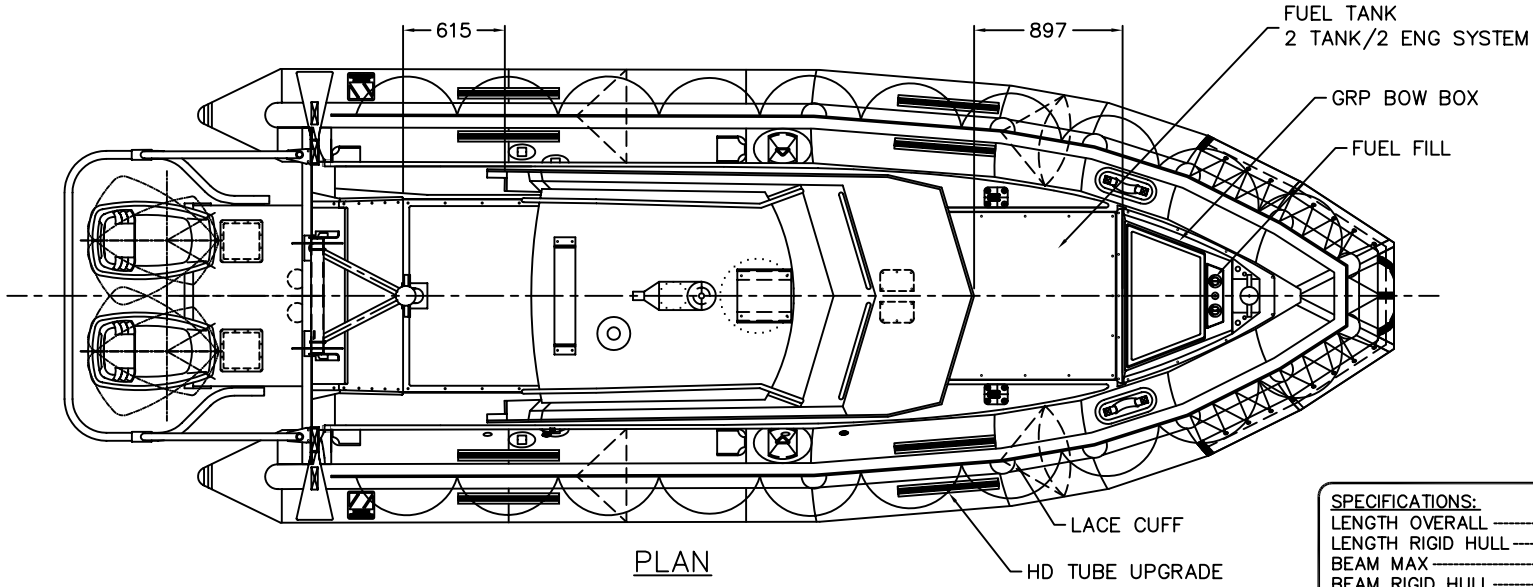


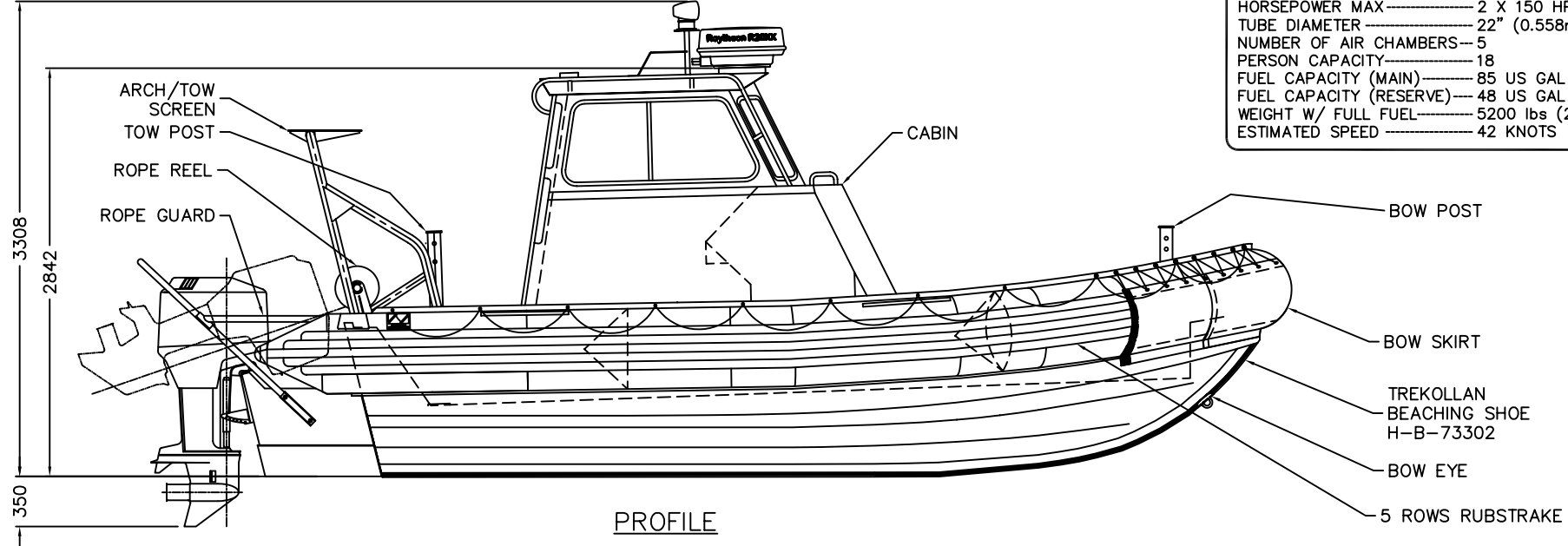


H733 OB CABIN (ENFORCEMENT)



SPECIFICATIONS:

LENGTH OVERALL	23'9" (7.24m)
LENGTH RIGID HULL	20'9" (6.32m)
BEAM MAX	9'0" (2.74m)
BEAM RIGID HULL	6'8" (2.03m)
HORSEPOWER MAX	2 X 150 HP
TUBE DIAMETER	22" (0.558m)
NUMBER OF AIR CHAMBERS	5
PERSON CAPACITY	18
FUEL CAPACITY (MAIN)	85 US GAL (321 L)
FUEL CAPACITY (RESERVE)	48 US GAL (181 L)
WEIGHT W/ FULL FUEL	5200 lbs (2364 Kg)
ESTIMATED SPEED	42 KNOTS



THIS DRAWING SHALL REMAIN THE PROPERTY OF ZODIAC HURRICANE TECHNOLOGIES INC. AND IS SUBJECT TO RECALL AT ANY TIME. MATERIAL DESCRIBED HEREIN OR PARTS THEREOF MAY NOT BE REPRODUCED, USED, MANUFACTURED OR PUBLISHED WITHOUT WRITTEN PERMISSION FROM ZODIAC HURRICANE TECHNOLOGIES INC.