



**MARK V HEAVY DUTY  
RibPack**

Rev 1 – 16 Jan 2004  
TECHNICAL DATA SHEET



MK 3 GR Cruz Roja RibPack w/ stand up console and bolster



**When compared to a similar sized average priced rigid inflatable boat (RIB), the Zodiac RibPack (patent pending) offers the professional user lower operating costs, larger carrying capacity and economical storage and transport costs. Purchase prices are similar or lower to an average Rib and usually the cost of the motor is lower too.**

**These have proven to be of interest to operators of commercial boats.**

**The RibPack offers most everything that a Rib will offer but the added advantage of being dismantled in less than 15 minutes without tools which makes storage and transport a snap. These boats can often be launched from shores where a road trailer cannot access and a number of dismantled RibPack craft can be flown or driven in a helicopter or van. This is due to the prepositioning of accessories and outboard engine using a quick release system that does not require tools.**

**RibPack boats are light and have easily driven hull shapes that require minimum horsepower. Due to their immense inherent buoyancy, they can carry loads far greater than rigid boats or conventional Ribs. Their inflatable structure is very resilient to impacts and sharp objects. The RibPack can be a valuable asset to any operators fleet of workboats**

The overall appearances of the watercraft depicted in this document are trademarks of Zodiac

THIS MATERIAL CONTAINS PROPRIETARY DATA BELONGING TO ZODIAC INTERNATIONAL. UNAUTHORIZED DISCLOSURE, USE OR REPRODUCTION WILL RESULT IN LIABILITY. ZODIAC RESERVES THE RIGHT TO CHANGE THE SPECIFICATIONS OF THIS TECHNICAL DATA SHEET WITHOUT NOTICE.

Dimensions and weight + or - 3 % (5% on prototype)

page 1 / 10



# ZODIAC INTERNATIONAL

DIVISION MARINE

## MK V HD SPECIFICATIONS (NO ACCESSORIES)

### CAPACITY

. maximum number of persons (ISO6185) :	15	15
. maximum payload including engine and fuels (ISO6185) :	2520 kg	5556 lb
. floorboard usable area :	4.608 m <sup>2</sup>	49.6 sq ft
. buoyancy tube volume :	3700 l	130 cu ft

### DIMENSIONS

. overall length :	5.85 m	19' 2"
. inside length :	4.20 m	13' 9"
. overall width :	2.48 m	8' 2"
. inside width :	1.22 m	4'
. weight empty :	250 kg	551 lbs
. buoyancy tube diameter :	0.63 m	2'1"
. folded dimensions :	sac 1	2.10x0.87x0.40
	bag 1	6'11"x2'10"x1'4"
	sac 2	1.50x0.84x0.29
	bag 2	4'11"x2'9"x0'11"

### SAFETY / INFLATION

. number of airtight compartments on main buoyancy tube :	5
. intercommunicating, inflation valves :	4
. inflatable keel :	1
. lower tubes :	2

### ENGINE POWER

. shaft length :	L	20"
. recommended power :	67 kW	90 HP
. maximum power :	86 kW	115 HP
. maximum power with 2 engines :	2 x 38 KW	2 x 50 HP
. maximum engine weight :	165 Kg	363 lbs
. maximum weight with 2 engines :	2 x 98 Kg	2 x 216lbs
. maximum power with RibPack :	67 kW (165 kg)	90 HP

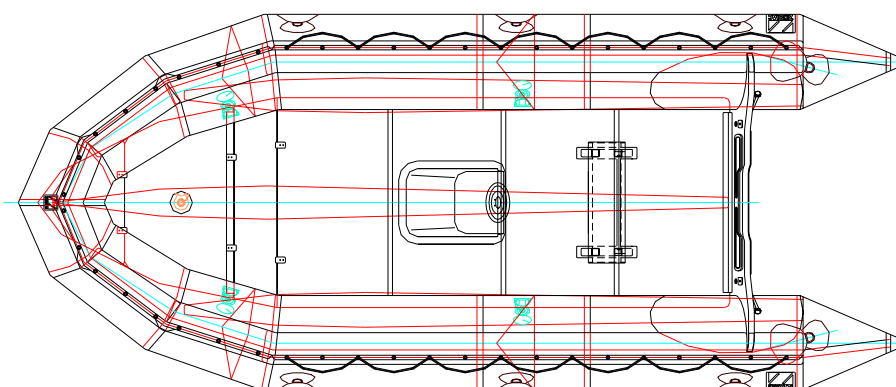
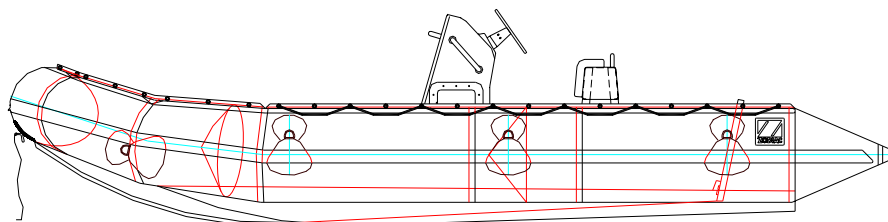
THIS MATERIAL CONTAINS PROPRIETARY DATA BELONGING TO ZODIAC INTERNATIONAL. UNAUTHORIZED DISCLOSURE, USE OR REPRODUCTION WILL RESULT IN LIABILITY. ZODIAC RESERVES THE RIGHT TO CHANGE THE SPECIFICATIONS OF THIS TECHNICAL DATA SHEET WITHOUT NOTICE.

Dimensions and weight + or - 3 % (5% on prototype)

page 2 / 10



## MK 5 HD RibPack - configuration 1



- |  |        |
|--|--------|
| - MK 5 HD Z80138 :                                     | 1      |
| - steering console, grey, Z1124:                       | 1      |
| - bolster, grey, Z66003 :                              | 1      |
| - quick connexion system for jockey seat and console : | 2 sets |
| - engine quick release shoe:                           | 1 set  |

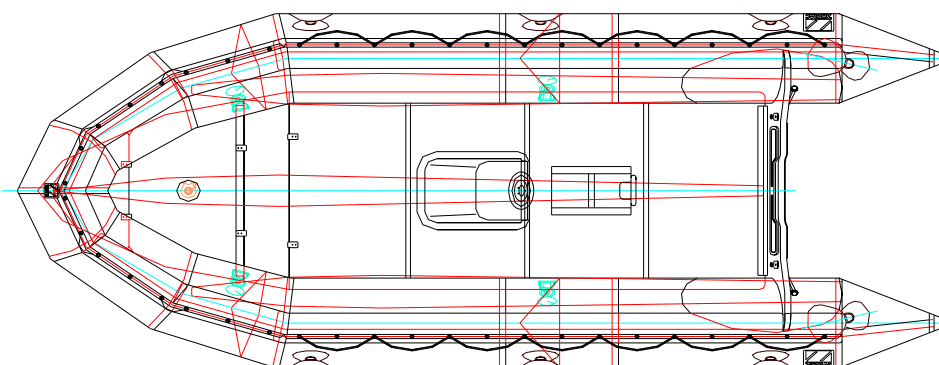
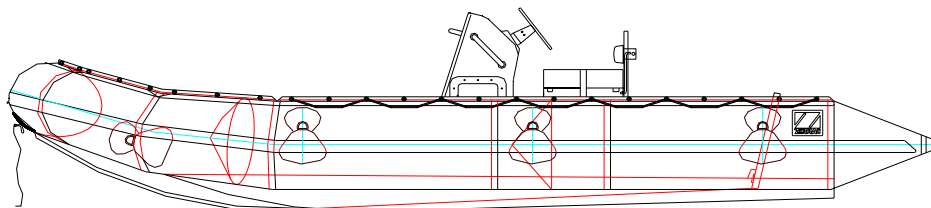
THIS MATERIAL CONTAINS PROPRIETARY DATA BELONGING TO ZODIAC INTERNATIONAL. UNAUTHORIZED DISCLOSURE, USE OR REPRODUCTION WILL RESULT IN LIABILITY. ZODIAC RESERVES THE RIGHT TO CHANGE THE SPECIFICATIONS OF THIS TECHNICAL DATA SHEET WITHOUT NOTICE.

Dimensions and weight + or - 3 % (5% on prototype)

page 3 / 10



## **MK 5 HD RibPack - configuration 2**



- MK 5 HD Z80139 : 1
- steering console, grey, Z1124: 1
- jockey seat, grey, Z1922 : 1
- quick connexion system for jockey seat and console : 2 sets
- engine quick release shoe: 1 set
  
- option, jockey seat with integrated fuel tank Z66000

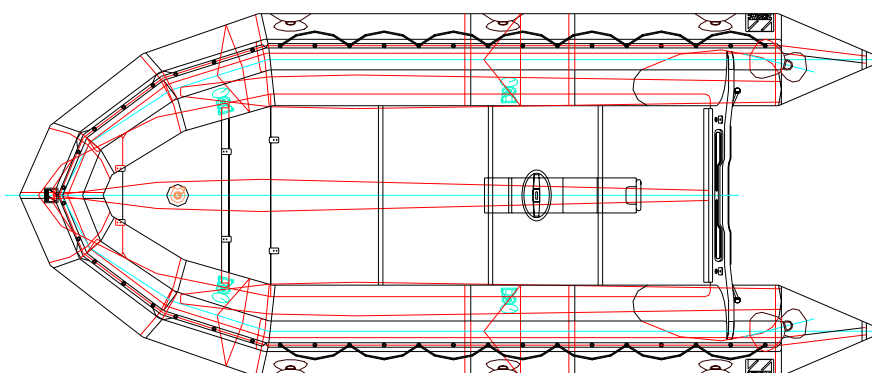
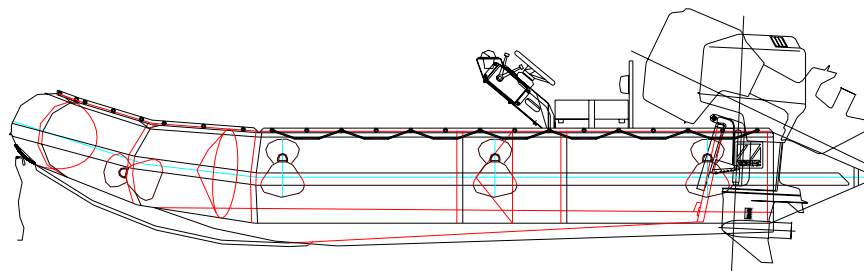
THIS MATERIAL CONTAINS PROPRIETARY DATA BELONGING TO ZODIAC INTERNATIONAL. UNAUTHORIZED DISCLOSURE, USE OR REPRODUCTION WILL RESULT IN LIABILITY. ZODIAC RESERVES THE RIGHT TO CHANGE THE SPECIFICATIONS OF THIS TECHNICAL DATA SHEET WITHOUT NOTICE.

Dimensions and weight + or - 3 % (5% on prototype)

page 4 / 10



### MK 5 HD RibPack - configuration 3



- MK 5 HD Z80138 : 1
- steering box small Z66028 + Z65062 : 1
- jockey seat, grey, Z1922 : 1
- quick connexion system for jockey seat : 1 set
- engine quick release shoe : 1 set
  
- option, jockey seat with integrated fuel tank Z66000

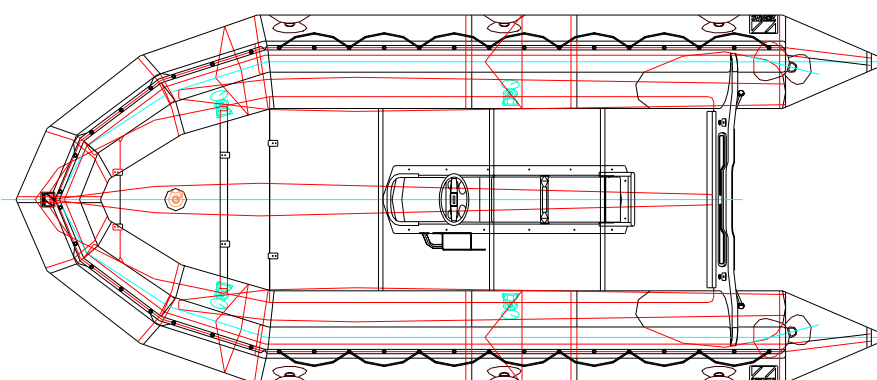
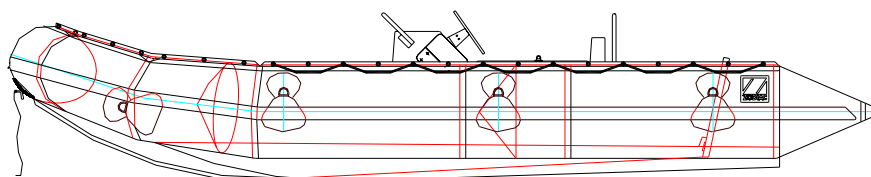
THIS MATERIAL CONTAINS PROPRIETARY DATA BELONGING TO ZODIAC INTERNATIONAL. UNAUTHORIZED DISCLOSURE, USE OR REPRODUCTION WILL RESULT IN LIABILITY. ZODIAC RESERVES THE RIGHT TO CHANGE THE SPECIFICATIONS OF THIS TECHNICAL DATA SHEET WITHOUT NOTICE.

Dimensions and weight + or - 3 % (5% on prototype)

page 5 / 10



**MK 5 HD RibPack - configuration 4**



- |  |       |
|--|-------|
| - MK 4 HD Z80139 :                         | 1     |
| - jockey console 2 persons, grey, Z66014 : | 1     |
| - quick connexion system for jockey seat : | 1 set |
| - engine quick release shoe:               | 1 set |

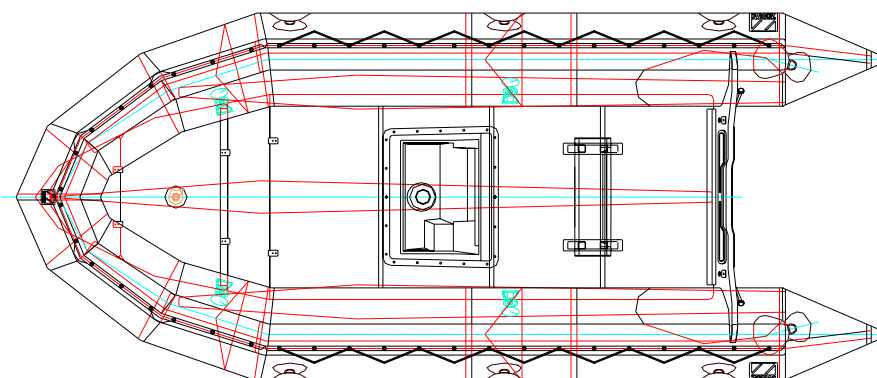
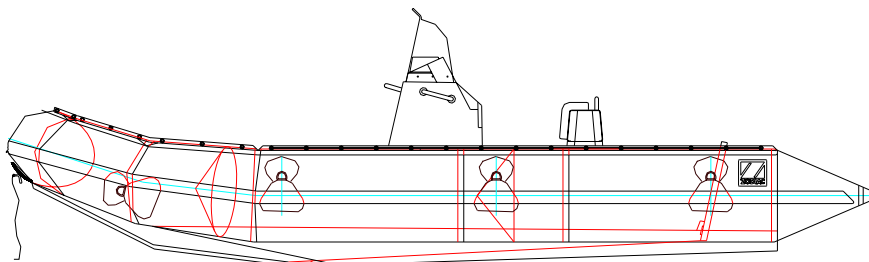
THIS MATERIAL CONTAINS PROPRIETARY DATA BELONGING TO ZODIAC INTERNATIONAL. UNAUTHORIZED DISCLOSURE, USE OR REPRODUCTION WILL RESULT IN LIABILITY. ZODIAC RESERVES THE RIGHT TO CHANGE THE SPECIFICATIONS OF THIS TECHNICAL DATA SHEET WITHOUT NOTICE.

Dimensions and weight + or - 3 % (5% on prototype)

page 6 / 10



## **MK 5 HD RibPack - configuration 5**



- |  |        |
|--|--------|
| - MK 5 HD Z80139 :                                     | 1      |
| - steering console, grey, GRP, large Z66012 :          | 1      |
| - bolster, grey, Z66003 :                              | 1      |
| - quick connexion system for jockey seat and console : | 2 sets |
| - engine quick release shoe:                           | 1 set  |

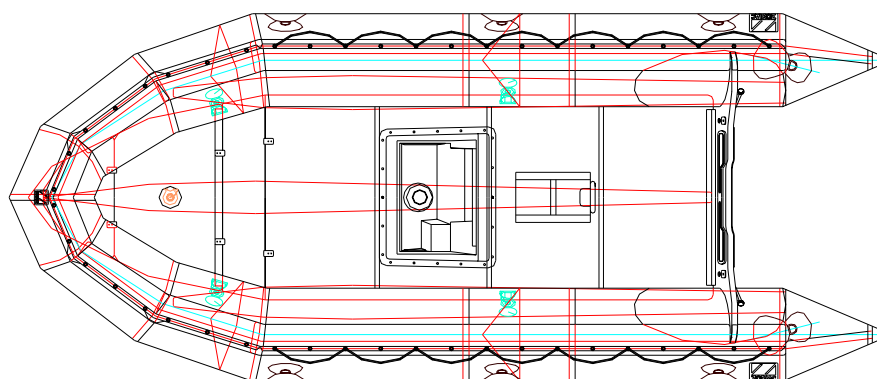
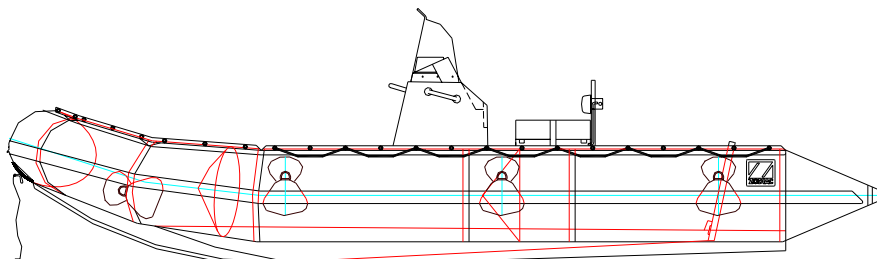
THIS MATERIAL CONTAINS PROPRIETARY DATA BELONGING TO ZODIAC INTERNATIONAL. UNAUTHORIZED DISCLOSURE, USE OR REPRODUCTION WILL RESULT IN LIABILITY. ZODIAC RESERVES THE RIGHT TO CHANGE THE SPECIFICATIONS OF THIS TECHNICAL DATA SHEET WITHOUT NOTICE.

Dimensions and weight + or - 3 % (5% on prototype)

page 7 / 10



**MK 5 HD RibPack - configuration 6**



- MK 5 HD Z80139 : 1
- steering console, grey, GRP, large Z66012 : 1
- jockey seat, grey, Z1922 : 1
- quick connexion system for jockey seat and console : 2 sets
- engine quick release shoe: 1 set
  
- option, jockey seat with integrated fuel tank Z66000

THIS MATERIAL CONTAINS PROPRIETARY DATA BELONGING TO ZODIAC INTERNATIONAL. UNAUTHORIZED DISCLOSURE, USE OR REPRODUCTION WILL RESULT IN LIABILITY. ZODIAC RESERVES THE RIGHT TO CHANGE THE SPECIFICATIONS OF THIS TECHNICAL DATA SHEET WITHOUT NOTICE.

Dimensions and weight + or - 3 % (5% on prototype)

page 8 / 10



**STANDARD EQUIPMENT**

**FABRIC**

- . buoyancy tubes : black , 1670 dtx, polyester, hypalon neoprene
- . speed tubes : black , 1880 dtx, polyamid, hypalon neoprene
- . bottom : black , 1880 dtx, polyamid, hypalon neoprene
- . keel : black , 940 dtx, polyamid, hypalon neoprene

**TRANSOM MARINE PLYWOOD**

- . Self-bailer : 4
- . aluminium engine mounting plate : 1
- . engine transom pad (marine plywood) : 1
- . transom triangular deflector : 2
- . transom bottom stainless steel protection shoe : 1
- . transom filler for twin engine installation : 1

**FLOORBOARD**

- . anti-skid floorboard (anodised aluminium) : 4 parts
- . bow floorboard marine plywood : 2
- . stringers aluminium profile : 2
- . fixed bow thrustboard : 1

**VALVES**

- . buoyancy tube intercommunication / inflation valves : 4
- . keel inflation valve : 1
- . inflation valves on hoses to speed tubes : 2

**REINFORCEMENTS**

- . teardrop peripheric rubbing strake : 1
- . large transom ovoid reinforcement : 1670 dtx (PY)
- . rubbing strake bow triangular profile : 1
- . rubbing strake underneath lower tubes : 1 + 1

THIS MATERIAL CONTAINS PROPRIETARY DATA BELONGING TO ZODIAC INTERNATIONAL. UNAUTHORIZED DISCLOSURE, USE OR REPRODUCTION WILL RESULT IN LIABILITY. ZODIAC RESERVES THE RIGHT TO CHANGE THE SPECIFICATIONS OF THIS TECHNICAL DATA SHEET WITHOUT NOTICE.

Dimensions and weight + or - 3 % (5% on prototype)

page 9 / 10



**STANDARD EQUIPMENT (continue)**

**HANDLING**

- . lateral large lifting D ring (stainless steel with black coating) : 6
- . bow handle (nickel brass with black coating) : 1
- . exterior lifeline : all around

**TOWING**

- . bow large towing D rings (stainless steel with black coating) : 2
- . stern large towing D rings (stainless steel with black coating) : 2

**OTHER EQUIPMENT**

- . foot bellows + hose : 2
- . repair kit with pressure indicator : 1
- . paddles with brackets : 2
- . towing V : 1
- . floorboard bag : 1
- . boat bag : 1

**The Heavy Duty is a unique range of larger inflatables that is designed primarily to carry heavy loads at planing speeds due to its patented Futura hull shape. HD uses heavy materials and is reinforced throughout making it suitable for extreme service. Even at sizes up to 7 m, they can still be rolled up into a bag and thrown into the back of a pickup truck or aircraft.**