

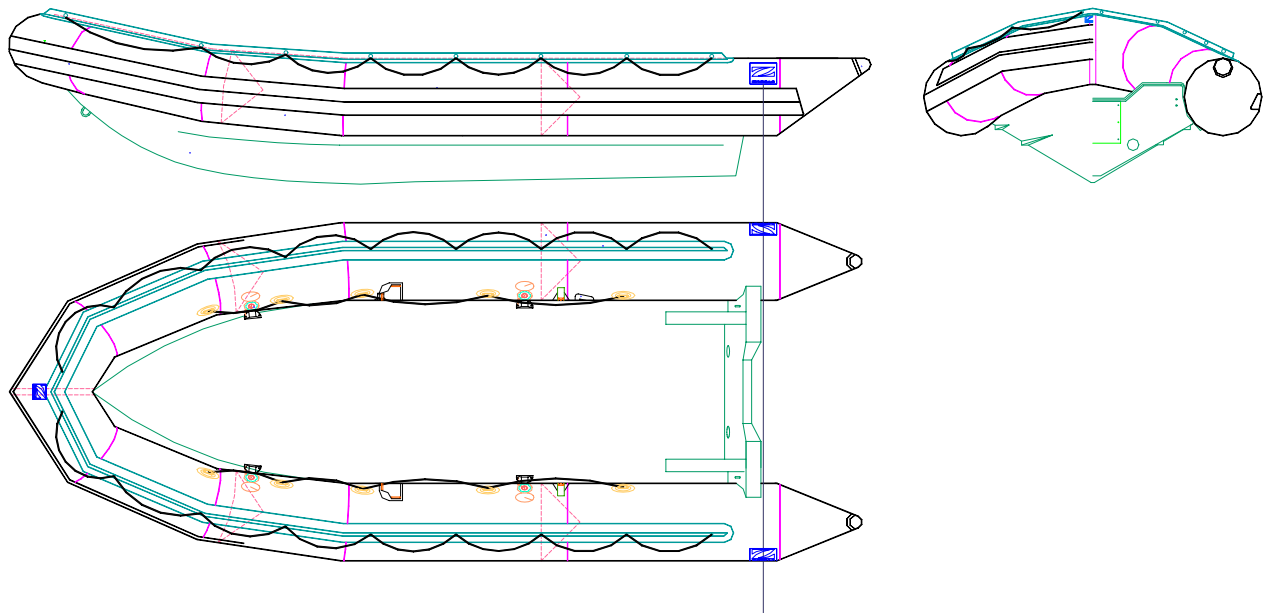


SEA RIB MARINE & NAVY

ZODIAC 550 SRMN

P/N Z80366

Rev 1 – 20 March 07
TECHNICAL DATA SHEET



Evolved from a long line of Navy RIB

Zodiac's SRMN were originally built for Military use so their hulls are reinforced to take the maximum G forces that are applied when fully laden and powered at maximum speed.

These Sea Ribs are simple, functional and tough. The collar is a heavy-duty neoprene hypalon with Zodiac's special intercommunicating valves. The total deck area is open and reinforced allowing installation anywhere of our wide range of steering consoles, bolsters and other equipment.

Available as an "off the shelf" product and maintained in stock at warehouses and selected dealers.

The 550 SRMN P/N Z80366 is available on stock.

The overall appearances of the watercraft depicted in this document are trademarks of Zodiac

THIS MATERIAL CONTAINS PROPRIETARY DATA BELONGING TO ZODIAC INTERNATIONAL. UNAUTHORIZED DISCLOSURE, USE OR REPRODUCTION WILL RESULT IN LIABILITY. ZODIAC RESERVES THE RIGHT TO CHANGE THE SPECIFICATIONS OF THIS TECHNICAL DATA SHEET WITHOUT NOTICE.

Dimensions and weight + or - 3 % (5% on prototype)

page 1 / 3



ZODIAC INTERNATIONAL

DIVISION MARINE

550 SRMN BOAT DEFINITION

CAPACITY

. maximum number of persons (ISO6185) :	14	14
. maximum payload including engine and fuels (ISO6185) :	1270 kg	2800 lb
. floorboard usable area :	4.2 m ²	45.2 sq ft
. buoyancy volume :	2100 l	74 cu ft

DIMENSIONS

. overall length :	5.50 m	18'01"
. inside length :	4.20 m	13'09"
. overall width :	2.18 m	7'02"
. inside width :	1.18 m	3'10"
. weight empty :	300 kg	661 lb
. buoyancy tube diameter :	0.50 m	1'8"
. hull storage dimensions :	4.85x1.55x0.80 15'11"x5'11"x2'8"	

SAFETY / INFLATION

. number of airtight compartments :	5	5
. inflation pressure :	0.24 bar	3.4 P.S.I.
. intercommunication / inflation valves :	4	4
. design category (EC 94/25) :	C	

ENGINE POWER

. shaft length :	L	20"
. recommended power :	67 kW	90 HP
. maximum power :	87 kW	120 HP
. maximum engine weight :	175 KG	386 lbs
. maximum power with 2 engines (1) :	2 x 38 KW	2 x 50 HP
. maximum weight with 2 engines (1) :	2 x 98 KG	2 x216 lbs

(1) : need optional twin engine bracket P/N Z66031

THIS MATERIAL CONTAINS PROPRIETARY DATA BELONGING TO ZODIAC INTERNATIONAL. UNAUTHORIZED DISCLOSURE, USE OR REPRODUCTION WILL RESULT IN LIABILITY. ZODIAC RESERVES THE RIGHT TO CHANGE THE SPECIFICATIONS OF THIS TECHNICAL DATA SHEET WITHOUT NOTICE.

Dimensions and weight + or - 3 % (5% on prototype)

page 2 / 3



ZODIAC INTERNATIONAL

DIVISION MARINE

BUOYANCY TUBE- (GLUED ON)

BUOYANCY TUBE CONSTRUCTION

- . fabric : navy grey , 1 880 dtx, polyamid, hypalon neoprene 4
- . intercommunication and inflation valves (delrin cap): 2
- . all around rubbing strake, flat profile, black :

HANDLING

- . bow carrying handle (plated brass, black) : 1
- . exterior lifeline, on lacing cuff : 1 all around
- . interior lifeline 1 + 1

HULL (NAVY GREY)

HULL CONSTRUCTION

- . glass reinforced plastic, with grey gel-coat : yes
- . deck with all surface reinforcements : yes
- . hull drain : 1
- . buoyancy foam, closed cells : 139 l

TRANSOM

- . self-bailers, large flow, w/ scuppers : 2
- . engine transom pad (plywood) : 1
- . engine aluminium mounting plate : 1
- . trim tabs, GRP, bolted on transom : 1
- . crossleg reinforcements : 2

LIFTING & TOWING

- . bow towing rings on hull, stainless steel U-bolt : 2
- . transom towing rings, stainless steel U-bolt : 2
- . bow lifting rings on hull, stainless steel folding padeye : 2
- . transom lifting rings, stainless steel U-bolt : 2
- . bow mooring eye, stainless steel U-bolt : 1

ACCESSORIES

- . foot pump : 1
- . repair kit : 1
- . paddles (aluminium shaft, plastic blade) with support : 2

THIS MATERIAL CONTAINS PROPRIETARY DATA BELONGING TO ZODIAC INTERNATIONAL. UNAUTHORIZED DISCLOSURE, USE OR REPRODUCTION WILL RESULT IN LIABILITY. ZODIAC RESERVES THE RIGHT TO CHANGE THE SPECIFICATIONS OF THIS TECHNICAL DATA SHEET WITHOUT NOTICE.

Dimensions and weight + or - 3 % (5% on prototype)

page 3 / 3