



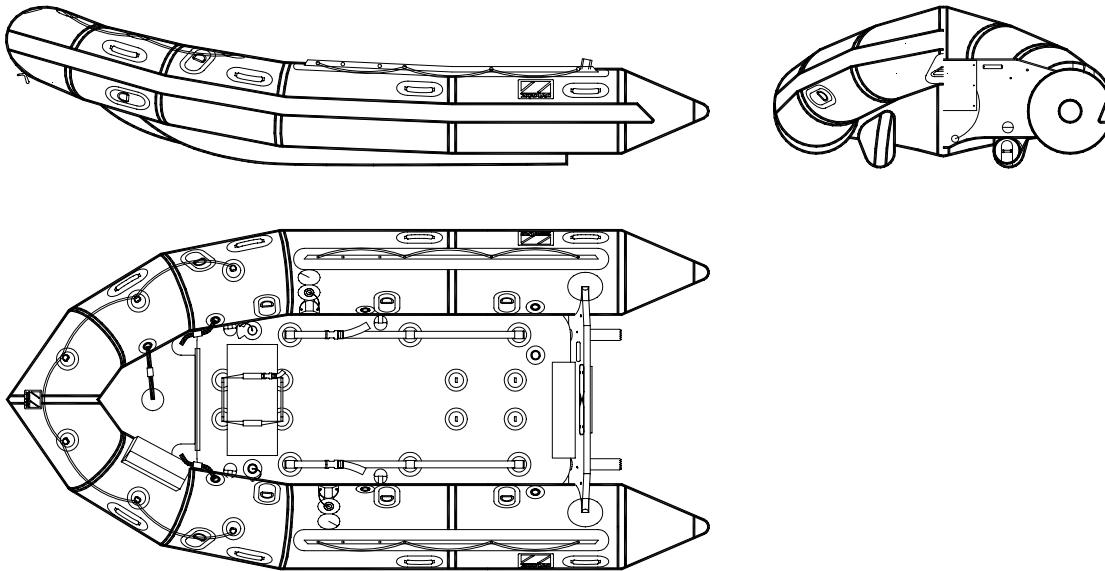
ZODIAC

MILITARY & PROFESSIONAL PRODUCTS DIVISION

ZODIAC G 380

P/N Z0393

Rev 1– 24 July 02
TECHNICAL DATA SHEET



Light, fast and rapidly deployed

Designed and built for lightness and rapid deployment, the G range is entirely inflatable and uses a high-pressure performance (H2P) floor instead of solid floorboard sections. By using the optional compressed air cylinder, it is quickly inflated and launched in minutes, even by one person. The hull shape is the same as the Futura Commando but the total boat is considerably lighter.

The overall appearances of the watercraft depicted in this document are trademarks of Zodiac

THIS MATERIAL CONTAINS PROPRIETARY DATA BELONGING TO ZODIAC. UNAUTHORIZED DISCLOSURE, USE OR REPRODUCTION WILL RESULT IN LIABILITY. ZODIAC RESERVES THE RIGHT TO CHANGE THE SPECIFICATIONS OF THIS TECHNICAL DATA SHEET WITHOUT NOTICE.

[ZODIAC - Military & Professional Products Division](http://www.zodiacmilpro.com)

For more information, contact the distributor in your region by visiting the Global Distributors listing at:
<http://www.zodiacmilpro.com/distributors>



ZODIAC

MILITARY & PROFESSIONAL PRODUCTS DIVISION

G 380 BOAT DEFINITION

CAPACITY

. maximum number of persons (ISO6185) :	5	5
. maximum payload including engine and fuels (ISO6185) :	800 kg	1 763 lbs
. floorboard usable area :	2.346 m ²	25.25 sq ft
. buoyancy tube volume :	1260 l	44.5 cu ft

DIMENSIONS

. overall length :	3.80 m	12' 6"
. inside length :	2.55 m	8' 4"
. overall width :	1.83 m	6'
. inside width :	0.92 m	3"
. weight without cylinder :	65 kg	143 lbs
. buoyancy tube diameter :	0.45 m	1'6"
. folded dimensions :	. with 15 liters diving cylinder ; tubes toward inside	1.27x0.61x0.43 4'2"x2'x1'5"
	. with 15 liters diving cylinder; tubes flat, roled	2.30x0.41 7'7"x1'4"

SAFETY / INFLATION

. number of airtight compartments on main buoyancy tube :	3
. inflatable keel :	1
. lower tubes :	2
. inflatable high pressure floor :	1
. I / C valves :	2
. overpressure valves :	1
. scuba air inflation points :	2+1

ENGINE POWER

. shaft length :	long (FB Short)	18"
. recommended power :	26 KW	35 HP
. maximum power allowed :	26 KW	35 HP
. maximum weight of outboard :	85 kg	187 lbs

THIS MATERIAL CONTAINS PROPRIETARY DATA BELONGING TO ZODIAC. UNAUTHORIZED DISCLOSURE, USE OR REPRODUCTION WILL RESULT IN LIABILITY. ZODIAC RESERVES THE RIGHT TO CHANGE THE SPECIFICATIONS OF THIS TECHNICAL DATA SHEET WITHOUT NOTICE.

ZODIAC - Military & Professional Products Division

For more information, contact the distributor in your region by visiting the Global Distributors listing at:
<http://www.zodiacmilpro.com/distributors>



ZODIAC

MILITARY & PROFESSIONAL PRODUCTS DIVISION

STANDARD EQUIPMENT

FABRIC

- . buoyancy tubes : black , 1100 dtx, polyester , pvc
- . speed tubes : black , 1100 dtx, polyester , pvc
- . bottom : black , 1100 dtx, polyester , pvc
- . inflatable floor : black , h2p , pvc

TRANSOM BLACK

- . self bailer : 2
- . engine mounting plate : 1
- . engine transom pad : 1
- . transom sheath for diving cylinder : 1

VALVES

INFLATION VALVES

- . buoyancy tube (intercommunication / inflation valves) : 2
- . inflatable floor : 1
- Overpressure valves*
- . buoyancy tube : 1
- . inflatable floor : 1
- Air inflation points (scuba diving cylinder)*
- . buoyancy tube : 2
- . inflatable floor : 1
- . quick connect hoses to speed tubes : 2
- . quick connect hose to keel : 1

REINFORCEMENTS

- . rubbing strakes underneath keel and speed tubes : 1 + 2
- . teardrop peripheric rubbing strakes : 1

THIS MATERIAL CONTAINS PROPRIETARY DATA BELONGING TO ZODIAC. UNAUTHORIZED DISCLOSURE, USE OR REPRODUCTION WILL RESULT IN LIABILITY. ZODIAC RESERVES THE RIGHT TO CHANGE THE SPECIFICATIONS OF THIS TECHNICAL DATA SHEET WITHOUT NOTICE.

[ZODIAC - Military & Professional Products Division](http://www.zodiacmilpro.com/distributors)

For more information, contact the distributor in your region by visiting the Global Distributors listing at:
<http://www.zodiacmilpro.com/distributors>



ZODIAC

MILITARY & PROFESSIONAL PRODUCTS DIVISION

HANDLING

. lateral carrying handles , webbing with hose grip :	6
. bow carrying handle :	1
. exterior lifeline (peripheric) :	1
. floor attachment straps :	2
. interior large tie down D rings :	6

TOWING

. bow towing rings :	2
. transom lifting and towing points :	2
. bow lifting D rings :	2

OTHER EQUIPMENT

. high pressure pump :	1
. repair kit with pressure indicator :	1
. telescopic paddles in paddle pocket :	4
. carrying bag :	1
. fuel tank fastening strap :	1

THIS MATERIAL CONTAINS PROPRIETARY DATA BELONGING TO ZODIAC. UNAUTHORIZED DISCLOSURE, USE OR REPRODUCTION WILL RESULT IN LIABILITY. ZODIAC RESERVES THE RIGHT TO CHANGE THE SPECIFICATIONS OF THIS TECHNICAL DATA SHEET WITHOUT NOTICE.

[ZODIAC - Military & Professional Products Division](http://www.zodiacmilpro.com/distributors)

For more information, contact the distributor in your region by visiting the Global Distributors listing at:
<http://www.zodiacmilpro.com/distributors>