



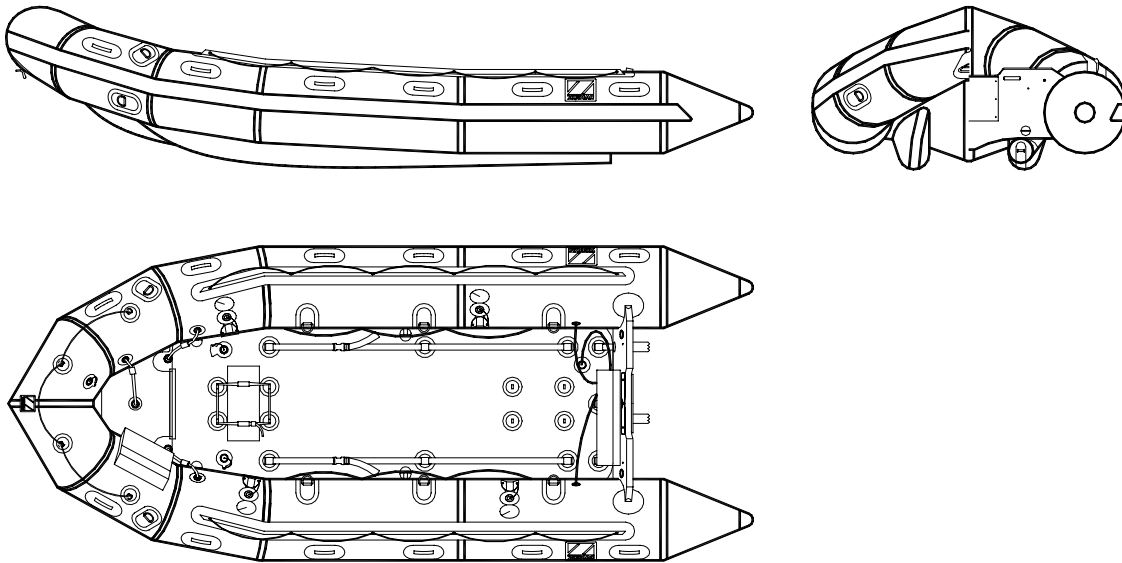
# ZODIAC

MILITARY & PROFESSIONAL PRODUCTS DIVISION

## ZODIAC G 470

P/N Z0389

Rev 1– 24 July 02  
TECHNICAL DATA SHEET



### ***Light, fast and rapidly deployed***

Designed and built for lightness and rapid deployment, the G range is entirely inflatable and uses a high-pressure performance (H2P) floor instead of solid floorboard sections. By using the optional compressed air cylinder, it is quickly inflated and launched in minutes, even by one person. The hull shape is the same as the Futura Commando but the total boat is considerably lighter.

The overall appearances of the watercraft depicted in this document are trademarks of Zodiac

THIS MATERIAL CONTAINS PROPRIETARY DATA BELONGING TO ZODIAC. UNAUTHORIZED DISCLOSURE, USE OR REPRODUCTION WILL RESULT IN LIABILITY. ZODIAC RESERVES THE RIGHT TO CHANGE THE SPECIFICATIONS OF THIS TECHNICAL DATA SHEET WITHOUT NOTICE.

[ZODIAC - Military & Professional Products Division](#)

For more information, contact the distributor in your region by visiting the Global Distributors listing at:  
<http://www.zodiacmilpro.com/distributors>



# ZODIAC

MILITARY & PROFESSIONAL PRODUCTS DIVISION

## G 470 BOAT DEFINITION

### CAPACITY

. maximum number of persons (ISO6185) :	10	10
. maximum payload including engine and fuels (ISO6185) :	1 210 kg	2 667 lb
. floorboard usable area :	3.069 m <sup>2</sup>	33.03 sq ft
. buoyancy tube volume :	1 850 l	65 cu ft

### DIMENSIONS

. overall length :	4.70 m	15' 5"
. inside length :	3.30 m	10"
. overall width :	1.93 m	6' 4"
. inside width :	0.93 m	3' 1"
. weight without cylinder :	80 kg	176 lbs
. buoyancy tube diameter :	0.50 m	1'8"
. folded dimensions :	. with 15 liters diving cylinder ; tubes toward inside	1.40x0.70x0.50 4'7" x 2'4" x 1'8"
	. with 15 liters diving cylinder ; and tube flat, rolled	1.45x0.65x0.50 4'9" x 2'2" x 1'8"

### SAFETY / INFLATION

. number of airtight compartments on main buoyancy tube :	5
. inflatable keel :	1
. lower tubes :	2
. inflatable high pressure floor :	1
. I / C valves :	4
. overpressure valves :	1+1 floor
. scuba air inflation points :	3

### ENGINE POWER

. shaft length :	long	18"
. recommended power :	38 KW	50 HP
. maximum power allowed :	38 KW	50 HP
. maximum power allowed with 2 engines :	2 x 22 KW	2 x 30 HP
. maximum engine weight :	98 kg	216 lbs
. maximum weight with 2 engines :	2 x 75 kg	2 x 165 lbs

THIS MATERIAL CONTAINS PROPRIETARY DATA BELONGING TO ZODIAC. UNAUTHORIZED DISCLOSURE, USE OR REPRODUCTION WILL RESULT IN LIABILITY. ZODIAC RESERVES THE RIGHT TO CHANGE THE SPECIFICATIONS OF THIS TECHNICAL DATA SHEET WITHOUT NOTICE.

ZODIAC - Military & Professional Products Division

For more information, contact the distributor in your region by visiting the Global Distributors listing at:  
<http://www.zodiacmilpro.com/distributors>



# ZODIAC

MILITARY & PROFESSIONAL PRODUCTS DIVISION

## STANDARD EQUIPMENT

### FABRICS

- . buoyancy tubes : black , 1100 dtx, polyester , pvc
- . speed tubes : black , 1100 dtx, polyester , pvc
- . bottom : black , 1100 dtx, polyester , pvc
- . inflatable floor : black , h2p, pvc

### TRANSOM BLACK

- . self-bailer : 2
- . engine mounting plate : 1
- . engine transom pad : 1
- . transom sheath for diving cylinder : 1

### VALVES

#### *Inflation valves*

- . buoyancy tube (intercommunication / inflation valves) : 4
- . inflatable floor : 1

#### *Overpressure valves*

- . buoyancy tube : 1
- . inflatable floor : 1

#### *Air inflation points (scuba diving cylinder)*

- . buoyancy tube : 2
- . inflatable floor : 1
- . quick connect hoses to speed tubes : 2
- . quick connect hose to keel : 1

### REINFORCEMENTS

- . rubbing strakes underneath keel and speed tubes : 1 + 2
- . teardrop peripheral rubbing strakes : 1

THIS MATERIAL CONTAINS PROPRIETARY DATA BELONGING TO ZODIAC. UNAUTHORIZED DISCLOSURE, USE OR REPRODUCTION WILL RESULT IN LIABILITY. ZODIAC RESERVES THE RIGHT TO CHANGE THE SPECIFICATIONS OF THIS TECHNICAL DATA SHEET WITHOUT NOTICE.

[ZODIAC - Military & Professional Products Division](http://www.zodiacmilpro.com/distributors)

For more information, contact the distributor in your region by visiting the Global Distributors listing at:  
<http://www.zodiacmilpro.com/distributors>



# ZODIAC

MILITARY & PROFESSIONAL PRODUCTS DIVISION

## HANDLING

. lateral carrying handles , webbing with hose grip :	12
. bow carrying handle :	1
. exterior lifeline (peripheric) :	1
. floor attachment straps :	2
. interior large tie down D rings :	6

## TOWING

. bow towing rings :	2
. transom lifting and towing points :	2
. bow lifting D rings :	2

## OTHER EQUIPMENT

. high pressure pump :	1
. repair kit with pressure indicator :	1
. telescopic paddles in paddle pocket :	6
. carrying bag :	1
. fuel tank fastening strap :	1

THIS MATERIAL CONTAINS PROPRIETARY DATA BELONGING TO ZODIAC. UNAUTHORIZED DISCLOSURE, USE OR REPRODUCTION WILL RESULT IN LIABILITY. ZODIAC RESERVES THE RIGHT TO CHANGE THE SPECIFICATIONS OF THIS TECHNICAL DATA SHEET WITHOUT NOTICE.

[ZODIAC - Military & Professional Products Division](http://www.zodiacmilpro.com/distributors)

For more information, contact the distributor in your region by visiting the Global Distributors listing at:  
<http://www.zodiacmilpro.com/distributors>